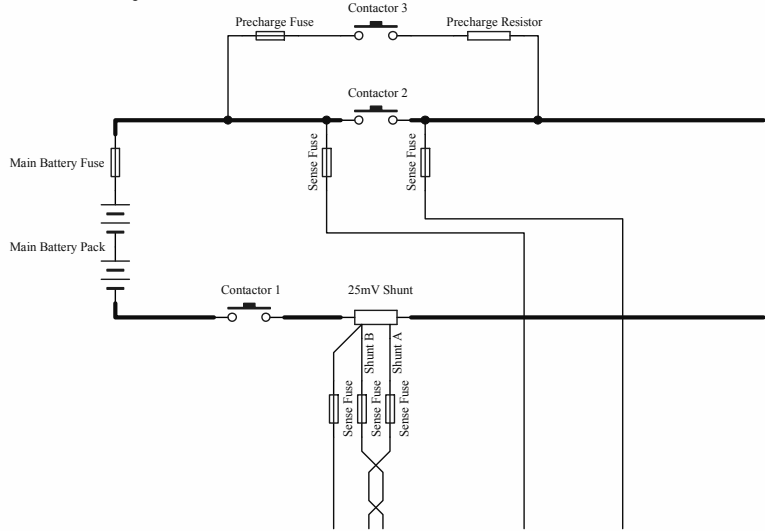


Alternative Contactor Arrangement



Battery Box Enclosure

